



## PREMIUM RANGE WEATHERPROOF LUMINAIRE

951-065 - CYFELCO 3 WP36 150/W-S 865 EM

### PRODUCT DATASHEET

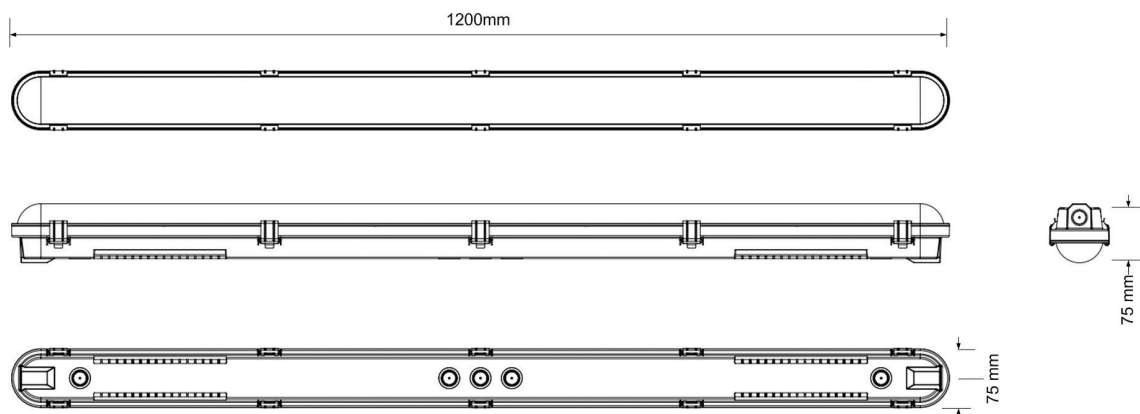
High performance Weatherproof LED Luminaires with adjustable wattage and Emergency Function (3hrs)

#### Areas of application

- Industrial and - storage facilities
- Car parks and underpasses
- Garages, Workshops, Assembly lines, Warehouses
- General Lighting

#### Product Features

- Long lifetime and high efficiency: 50,000 hours with efficiency up to 150lm/W
- Lumen/Watt adjustable, 4 Levels
- Evenly distributed light
- Easy installation
- Polycarbonate Housing and Diffuser, Metal Reflector
- Lifetime (L70/B50): up to 50,000 h
- 5 Years Warranty



Agios Adrianos, 21100 Nafplio Greece / Europe  
Tel. +302752 091136 | [elmasco@elmasco.eu](mailto:elmasco@elmasco.eu) | [www.elmasco.eu](http://www.elmasco.eu)

LIGHT  
RIGHT

## TECHNICAL DATA

### Operating and Electrical

Input Voltage	220-240V AC
Line Frequency	50/60 Hz
Nominal Power Consumption	<b>20/25/30/36 W</b>
Power Factor	>0.90
Total Harmonic Distortion	<15%
Protection Class	Class I
Driver	Power Selectable
Emergency Function	3 hours
<b>Over Time Performance</b>	
Lifespan L70/B50 at 25 °C	>50000 hrs

### Application

Ambient Temperature Range	-25 to +40 °C
Ingress Protection Code	IP65
Mech. Impact Protection	IK08
Application Environment	Indoor/Outdoor
Mounting Type	Surface/Suspended
Dimmable	No (Adjustable)

### Logistics

Dimensions (H x L x W)	75x1200x75 mm
Packaging Size	121x8.1x7.9 cm
Gross Weight	xx Kg
Net Weight	xx Kg

### Directives

2014/30/EU	Electromagnetic Compatibility Directive
2014/35/EU	Low Voltage Directive
2011/65/EU	Restriction of Hazardous Substances Directive (RoHS)
2009/125/EU	Ecodesign Requirements for energy-related products

### Standards

EN 60598-1:2015/A1:2018	Luminaires part 1 General Requirements
EN 60598-2-1:1989	Part 2: Particular requirements-Section 1 Fixed general purpose luminaires
EN IEC 55015:2019	Limits and methods of measurement of radio disturbance characteristics of electrical lighting and similar equipment
EN 62493:2015	Assessment of lighting equipment related to human exposure to electromagnetic fields
EN 61547:2009	Equipment for general lighting purposes - EMC immunity requirements
EN IEC 61000-3-2:2019	Electromagnetic compatibility (EMC) - Part 3-2: Limits - Limits for harmonic current emissions (equipment input current ≤16 A per phase)
EN 61000-3-3:2013+A1:2019	Electromagnetic compatibility (EMC) - Part 3-3: Limits - Limitation of voltage changes, voltage fluctuations and flicker in public low-voltage supply systems, for equipment with rated current ≤ 16 A per phase and not subject to conditional connection

### Photometric Data

Luminous Flux	<b>3000/3750/4500/5400 lm</b>
Luminous Efficacy	150 lm/W
Color Temperature	6500 K (Cool Daylight)
Color Rendering Index Ra	>80
SDCM	<6
Flickering metric (Pst LM)	<1
Stroboscopic Effect (SVM)	<0.4
Photobiological safety group	RG 0
Beam Angle	100°
UGR	<32

### Mechanical and Housing

Housing Material	Polycarbonate
Reflector	Metal
Diffuser	Polycarbonate
Housing Color	Grey

### Packaging

Packaging	12pcs per Carton
Carton Box Gross Weight	xx Kg
Carton Box Net Weight	xx Kg

### Accessories/Options

Installation	Metal brackets
Dimming (On Request)	DALI/PUSH Driver

